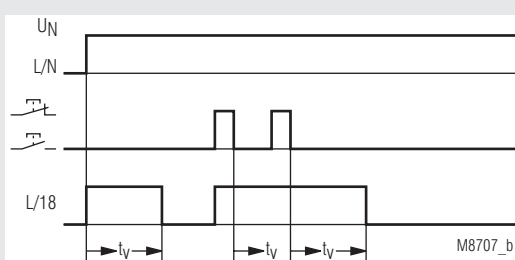


MINITIMER Staircase Lighting Time Switch RK 8810/100



- According to EN 60 669-1, EN 60 669-2-1
- Setting range 0.5 ... 10 min.
- For 4-wire circuit L on push button and 3-wire circuit N on push button
- Can be retriggered
- Switch for continuous light on unit
- Contact: 16 A
- Width 17.5 mm

Function Diagram



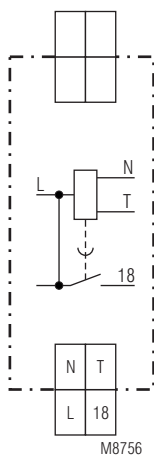
Approvals and Markings



Application

- Staircase lighting time switch
- Timer, release delay
- Follow-up switch

Circuit Diagram



Function

The timing is retriggerable, i.e. if the push button is pressed again during timing the adjusted delay time starts again without interruption.

Notes

Unit and push button have to be connected to the same phase (see connection diagram) The output contact is not volt free. When voltage is connected to I/N the output contact is closed for the time adjusted on the unit. (single timing)

Maintenance

Inspection test and maintenance intervals are to be performed annually.

Technical Data

Time Circuit

Time range: 0.5 ... 10 min
Repeat accuracy: < 1 % of setting value

Input

Nominal voltage U_N : AC 230 V
Voltage range: 0.9 ... 1,1 U_N
Nominal consumption: approx. 5 VA
Nominal frequency: 50 / 60 Hz
Permitted residual current caused by glow lamps in the push buttons: max. 50 glow lamps à 1 mA
Min. pulse duration: 30 ms

Connection Terminals

| Terminal designation | Signal designation |
|----------------------|----------------------|
| L, N | Auxiliary voltage AC |
| T, L or N | Button |
| L, 18 | Contact output |

M8756
RK 8810.41/100

Technical Data

Output

| | | |
|---|--|-------------------|
| Contacts: | 1 NO contact, delay, not floating | |
| Contact opening gap: | < 3 mm | |
| Min. contact load: | 10 V / 300 mA | |
| Thermal current I_{th}: | 16 A | |
| Switching capacity with lamp load | | |
| Fluorescent lamp load | | |
| Duo switching: | | |
| (series compensated) | 20 lamps with 58 W each | |
| | 5 x 10 ⁴ switching cycles | |
| Glow lamp load: | 1200 W | |
| Short circuit strength max. fuse rating: | 16 AgL | IEC/EN 60 947-5-1 |
| Mechanical life: | > 1 x 10 ⁶ switching cycles | |

General Data

| | | |
|---|--|-------------------|
| Nominal operating mode: | impulse operation | |
| Temperature range | | |
| Operation: | - 20 ... + 50°C | |
| Storage: | - 40 ... + 70°C | |
| Clearance and creepage distances | | |
| rated impulse voltage / pollution degree: | 4 kV / 2 | IEC 60 664-1 |
| EMC | | |
| Electrostatic discharge (ESD): | 8 kV (air) | IEC/EN 61 000-4-2 |
| HF irradiation | | |
| 80 MHz ... 1 GHz: | 10 V / m | IEC/EN 61 000-4-3 |
| 1 GHz ... 2.7 GHz: | 10 V / m | IEC/EN 61 000-4-3 |
| Fast transients: | 2 kV | IEC/EN 61 000-4-4 |
| Surge voltages | | |
| between | | |
| wires for power supply: | 1 kV | IEC/EN 61 000-4-5 |
| between wire and ground: | 2 kV | IEC/EN 61 000-4-5 |
| HF wire guided | | |
| 0.15 ... 80 MHz: | 10 V | IEC/EN 61 000-4-6 |
| Interference suppression: | Limit value class B | EN 55 011 |
| Degree of protection: | | |
| Housing: | IP 40 | IEC/EN 60 529 |
| Terminals: | IP 20 | IEC/EN 60 529 |
| Enclosure: | Thermoplast with V0-behaviour according to UL subj. 94 | |
| Vibration resistance | Amplitude 0,35 mm | |
| | frequency 10 ... 55 Hz | IEC/EN 60 068-2-6 |
| Climate resistance: | 20 / 050 / 04 | |
| Terminal designation: | EN 50 005 | |
| Wire connection: | DIN 46 228-1/-2/-3/-4 | |
| Fixed screw terminals | | |
| Cross section: | 0.5 ... 10 mm ² (AWG 20 - 8) solid or 0.5 ... 6 mm ² (AWG 20 - 10) stranded wire with and without ferrules | |
| Stripping length: | 10 mm | |
| Fixing torque: | 0.8 Nm | EN 60 999-1 |
| Wire fixing: | Cross-head screw / M3.5 box terminals | |
| Mounting: | DIN rail | |
| Weight: | approx. 80 g | |

Dimensions

Width x Height x Depth: 17.5 x 90 x 66 mm

Standard Type

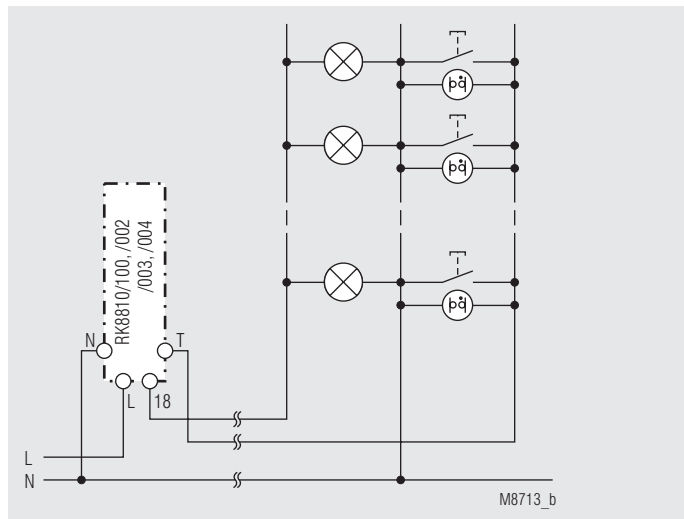
| | | | |
|---------------------------|---------------------|------------|----------------|
| RK 8810.41/100 | AC 230 V | 50 / 60 Hz | 0.5 ... 10 min |
| Article number: | 0058997 | | |
| • Output: | 1 NO contact, delay | | |
| • Nominal voltage U_N : | AC 230 V | | |
| • Timer range: | 0.5 ... 10 min | | |
| • Width: | 17.5 mm | | |

Ordering Example

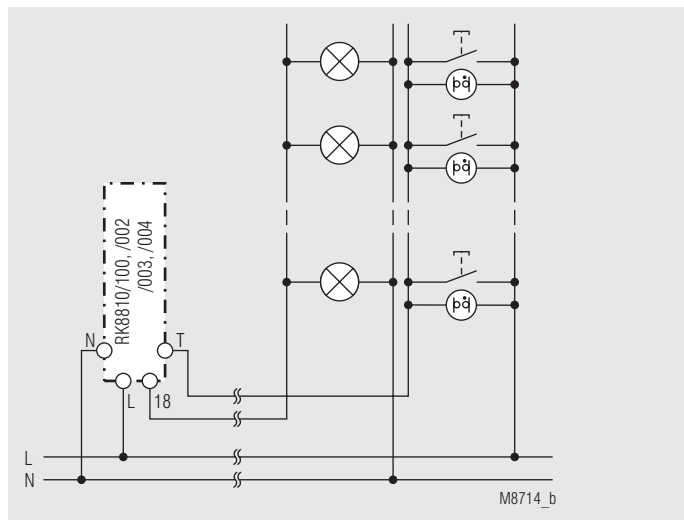
RK 8810 .41 /100 AC 230 V 50 / 60 Hz 0.5 ... 10 min



Application Examples



3-wire circuit N on push button



4-wire circuit L on push button